

# HT 410 TIMBER/ALUMINIUM ENTRANCE DOOR

## HT410 FLUSH OUTSIDE AND INSIDE



Outside view



Inside view

**Thermal insulation**  
(in  $W/m^2K$ )



$U_D$  as low as 0.58

**Sound reduction**  
(in dB)



up to 37

**Security**



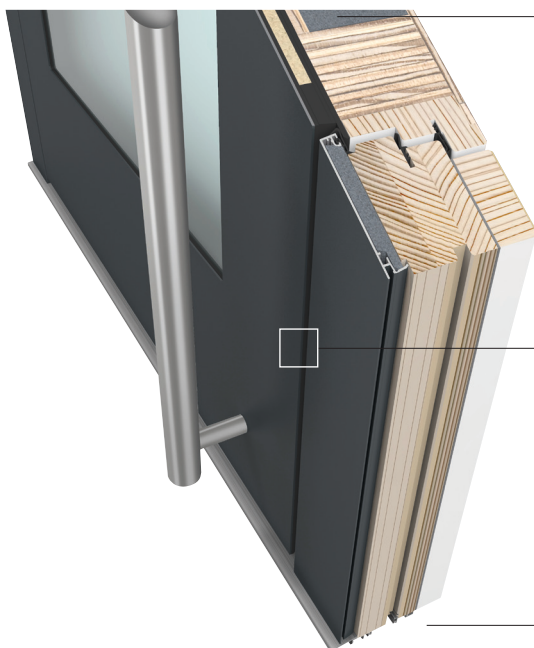
up to WK 2

**Design style**

studio

### Characteristics

- Concealed door hinges
- Narrow square-edged glass frame

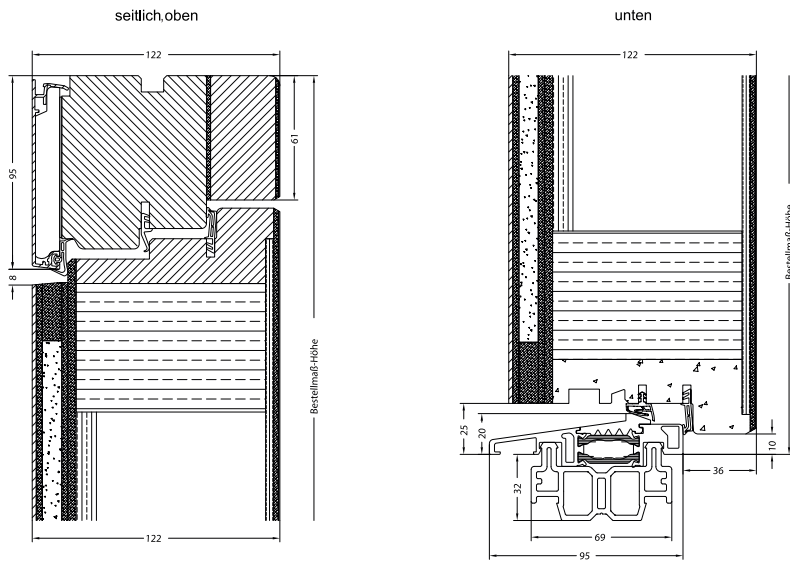


Wide thermal foam insulation  
for very high thermal insulation

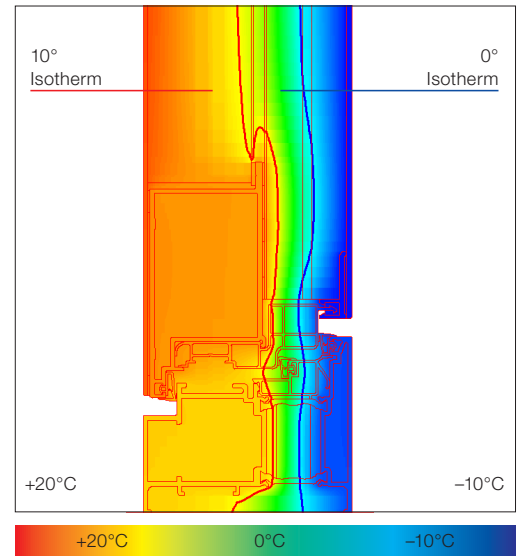
Flush design inside and outside

Construction depth 121 mm

## Sections



## Isotherm



## Door models



HT410-17-001



HT410-17-002



HT410-17-004



HT410-17-015



HT410-17-016



HT410-17-018

Online door designer



## Internorm Window UK

Unit D, Colindale Business Park  
2-10 Carlisle Road, NW9 0HN, London  
Tel.: +44 (0) 208 205 9991

Email: office@internorm.co.uk