

# AT 200 ALUMINIUM ENTRANCE DOOR

## AT 200 OPTIONS: SQUARE-EDGED OR PROFILED OUTSIDE OR INSIDE



Outside view



Inside view

**Thermal insulation**  
(in  $W/m^2K$ )



$U_D$  as low as 1.2

**Sound reduction**  
(in dB)



up to 40

**Security**



up to RC 2

**Design style**

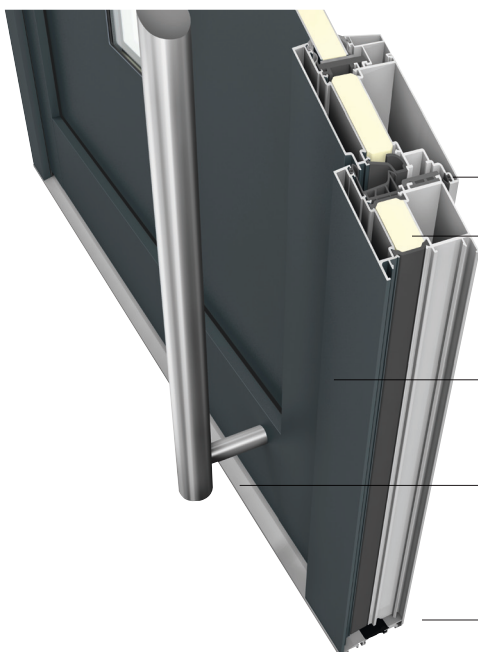
home pure

home soft

ambiente

**Characteristics**

- Exposed door hinges



3 gasket levels

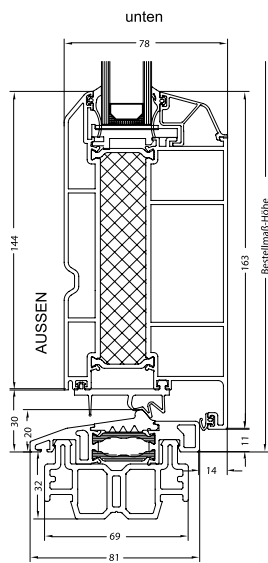
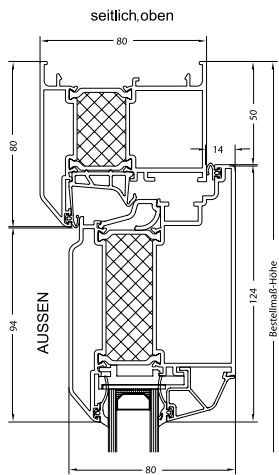
3-chamber frame profile and foam insulation core for very high thermal insulation

Square-edged or profiled design inside and outside

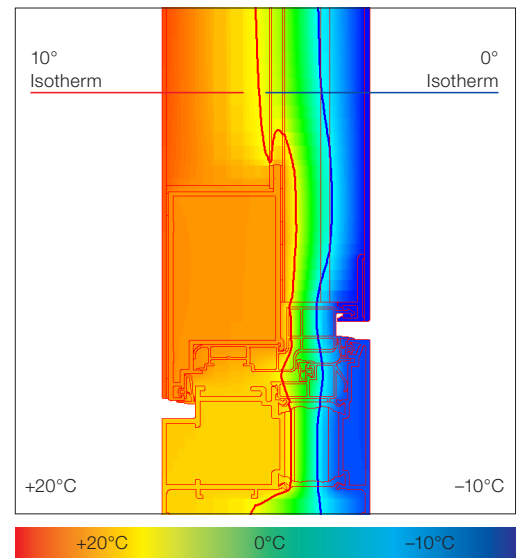
Low threshold thermally broken

Construction depth 80 mm

## Sections



## Isotherm



## Door models



AT200-17-061



AT200-17-065



AT200-17-068



AT200-17-075



AT200-17-077



AT200-17-087



AT200-17-088



AT200-17-089

Online door designer



## Internorm Window UK

Unit D, Colindale Business Park  
2-10 Carlisle Road, NW9 0HN, London  
Tel.: +44 (0) 208 205 9991

Email: office@internorm.co.uk